

SSMA

Mini Semi-Cycle Pump



SSMA

MODEL CODE SSMA 3 5 F

Power	A : 1Phase 100 / 115V
	F : 1Phase 200 / 220V
Cycle Time / Intermittence	5 : 5min 30 : 30min
	10 : 10min 60 : 60min
	15 : 15min 120 : 120min
Discharge Volume	2 : 2cm ³ /cycle
	3 : 3cm ³ /cycle
Base Code	

MOTOR SPECIFICATION

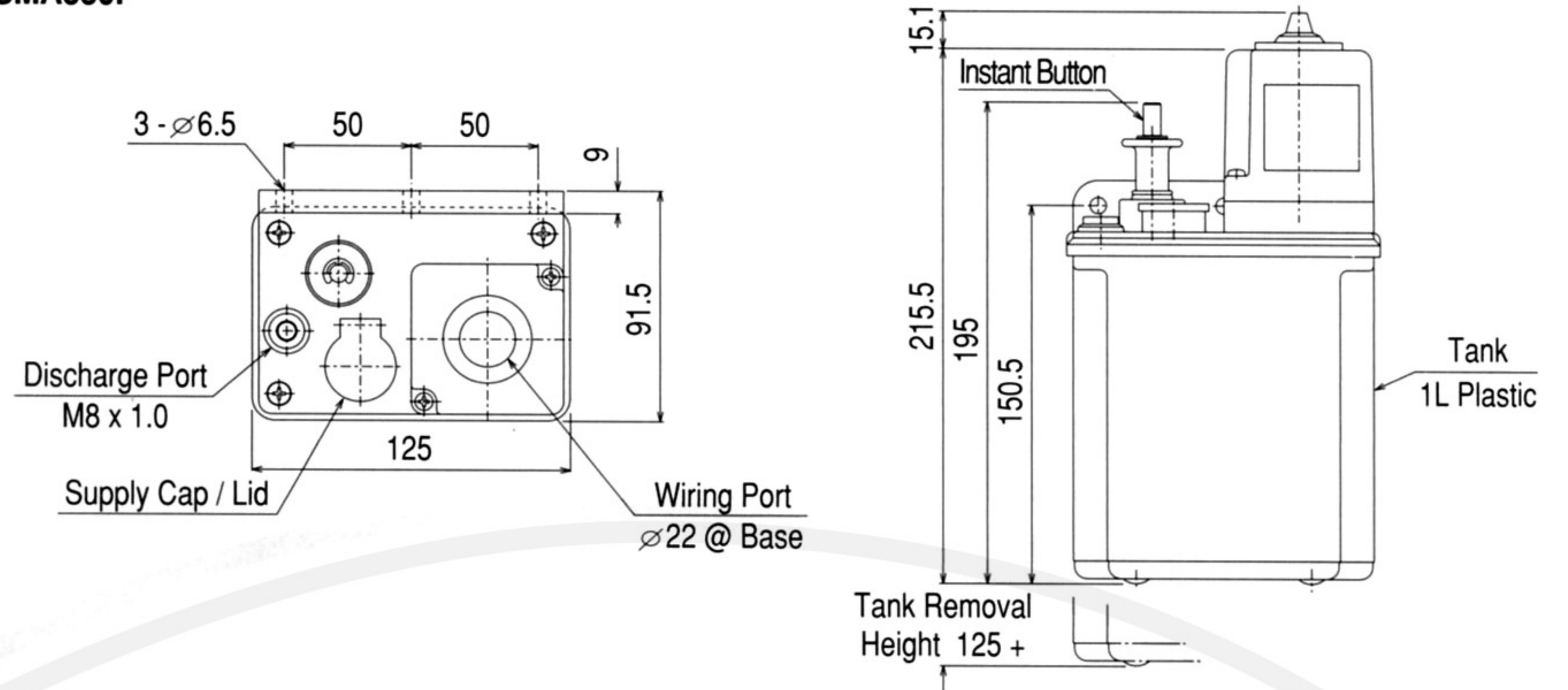
Voltage (V)	100	100 ~ 115	200	200	220
Frequency (Hz)	50	60	50	60	
Rotation (rpm)	1/2, 1, 2, 4, 5, 10				
Current (mA)	Under 50		Under 25		
	(10rpm : Under 60)		(10rpm : Under 50)		
Input (W)	Under 4 (10rpm : Under 5)				

- 2 discharge volume types available, dispensing 2cm³ /cy or 3cm³ /cy (fixed)
- 6 cycle time types are available with cycle times of 5, 10, 15, 30, 60 or 120 mins
- Compact unit with a 1L tank

The SSMA model is a cyclic pump based upon the SMD model, possessing the same motor and mechanisms. However, the SSMA is far more compact with a 1L plastic tank, allowing the unit to be installed in areas where space is limited.

2 fixed discharge volume types are available, dispensing either a set volume of 2cm³ or 3cm³.

SSMA330F



SPECIFICATIONS

MODEL CODE	Cycle Time (minutes)	Discharge Vol. (cm ³ /cycle)	Max. Discharge Pressure (MPa)	Tank Capacity (L)	Effective Tank Capacity (L)
SSMA2	5, 10, 15, 30,	2	0.3	1	0.8
SSMA3	60 or 120	3	0.3	1	0.8

* Cycle times and discharge volumes are fixed and cannot be adjusted.

* An oil level detecting Float Switch can be attached to the unit.

SMD

Semi-Cycle Pump



SMD

MODEL CODE SMD 3 15 3 A

Power	A : 1Phase 100 / 115V
	F : 1Phase 200 / 220V
Optional Attachments	0 : None 2 : Cover
	1 : Float Switch 3 : F. Switch + Cover
Cycle Time / Intermittence	5 : 5min 30 : 30min
	10 : 10min 60 : 60min
	15 : 15min 120 : 120min
Discharge Volume	3 : 1cm ³ ~ 3cm ³ /cycle
	6 : 3cm ³ ~ 6cm ³ /cycle
Base Code	

MOTOR SPECIFICATION

Voltage (V)	100	100 ~ 115	200	200	220
Frequency (Hz)	50	60	50	60	
Rotation (rpm)	1/2, 1, 2, 4, 5, 10				
Current (mA)	Under 50		Under 25		
	(10rpm : Under 60)		(10rpm : Under 50)		
Input (W)	Under 4 (10rpm : Under 5)				

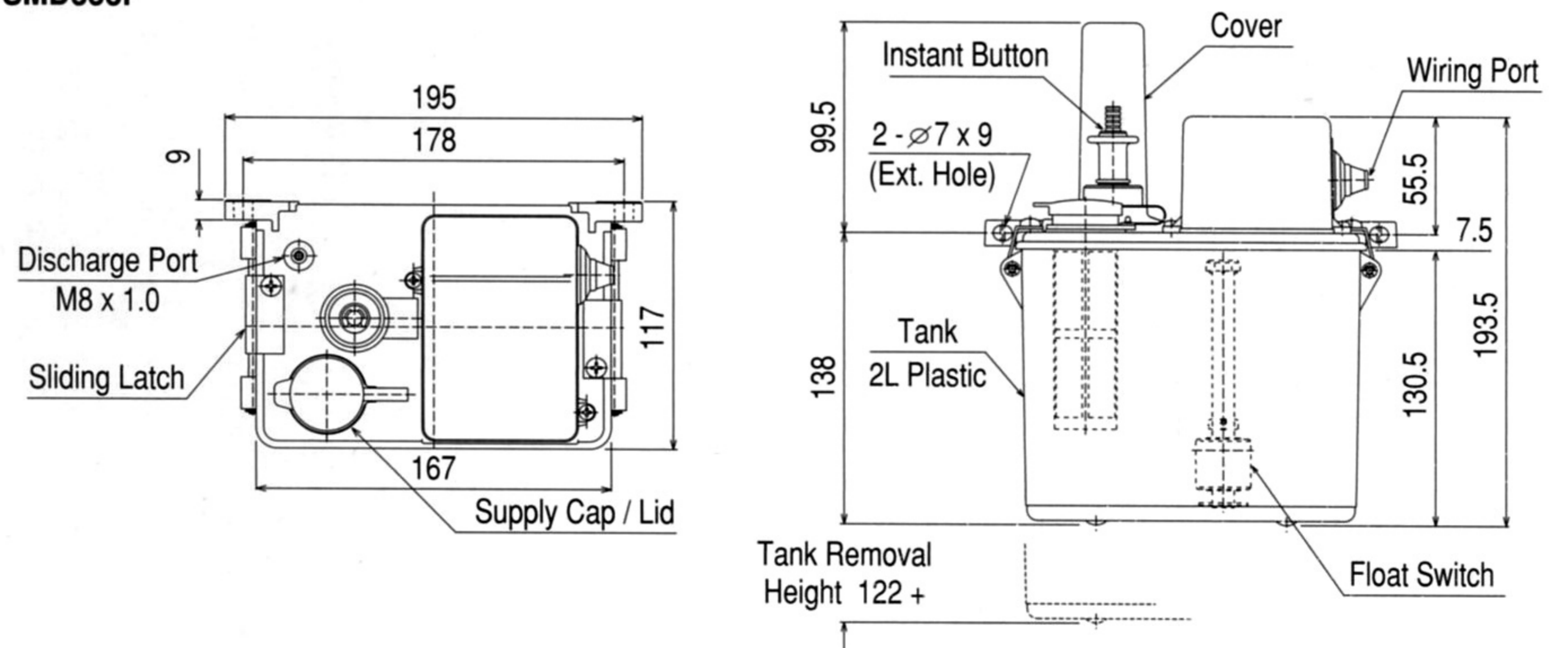
- A new model cyclic pump with a quick attaching / detaching tank
- 2 discharge volume types available, dispensing 1 ~ 3cm³ /cy or 3 ~ 6cm³ /cy
- 6 cycle time types are available with cycle times of 5, 10, 15, 30, 60 or 120 mins

The SMD model is a resistance type cyclic pump possessing a quick attaching / detaching tank, terminal board and a supply strainer as standard options.

Discharge volumes can be adjusted in 0.5cm³ increments to suit lubrication requirements.

Due to the flexibility and its ease of use, the SMD pumps are highly popular in many industries.

SMD353F



SPECIFICATIONS

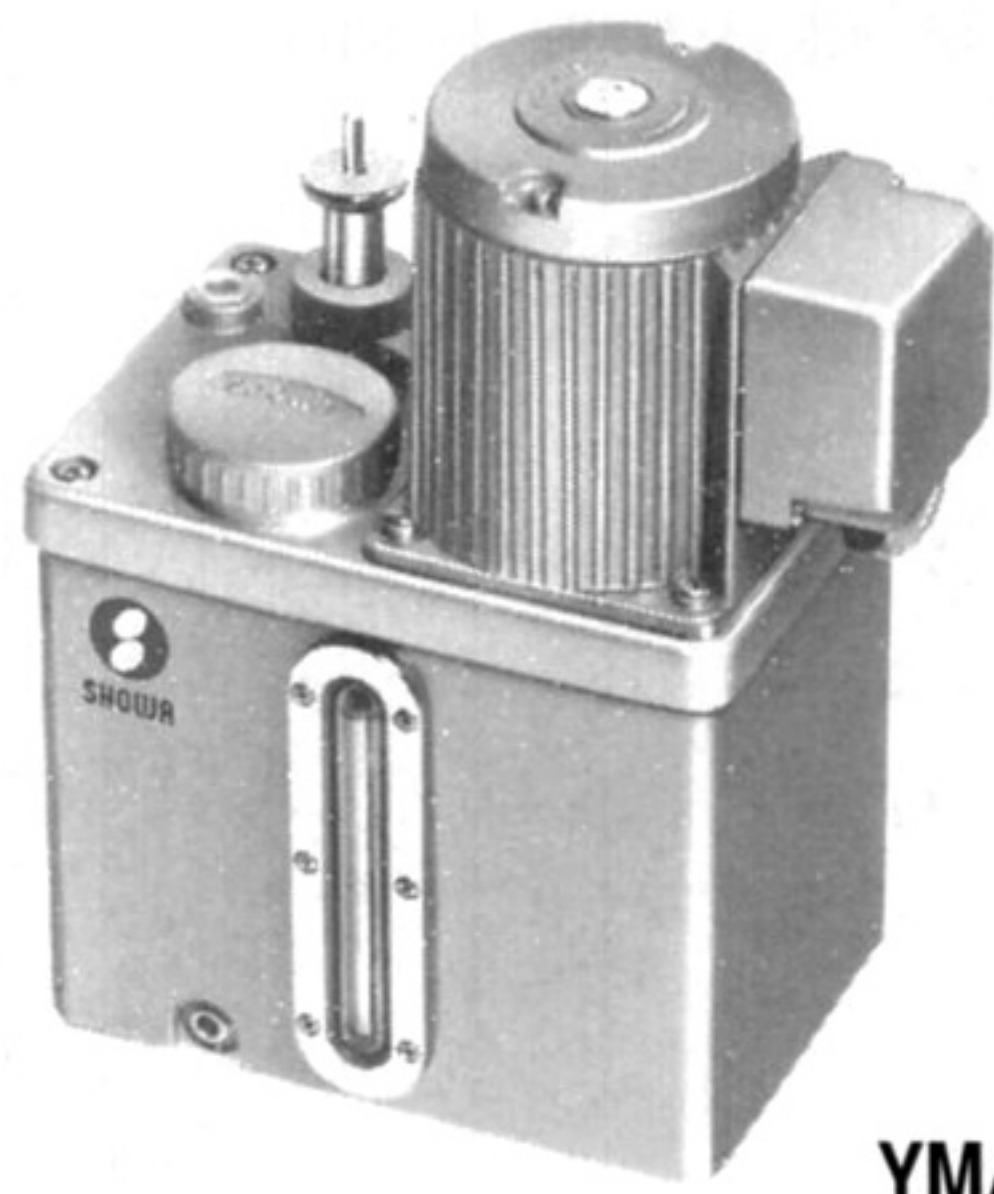
MODEL CODE	Cycle Time (minutes)	Discharge Vol. (cm ³ /cycle)	Max. Discharge Pressure (MPa)	Tank Capacity (L)	Effective Tank Capacity (L)
SMD3	5, 10, 15, 30,	1 ~ 3 (Adjustable)	0.3	2	1.5
SMD6	60 or 120	3 ~ 6 (Adjustable)	0.3	2	1.5

* The discharge volume can be adjusted in 0.5cm³ increments. Initial discharge volume settings are set to maximum output levels.

* A Float Switch and an Instant Button Cover are available as options.

YMAS

Cycle Pump



YMAS

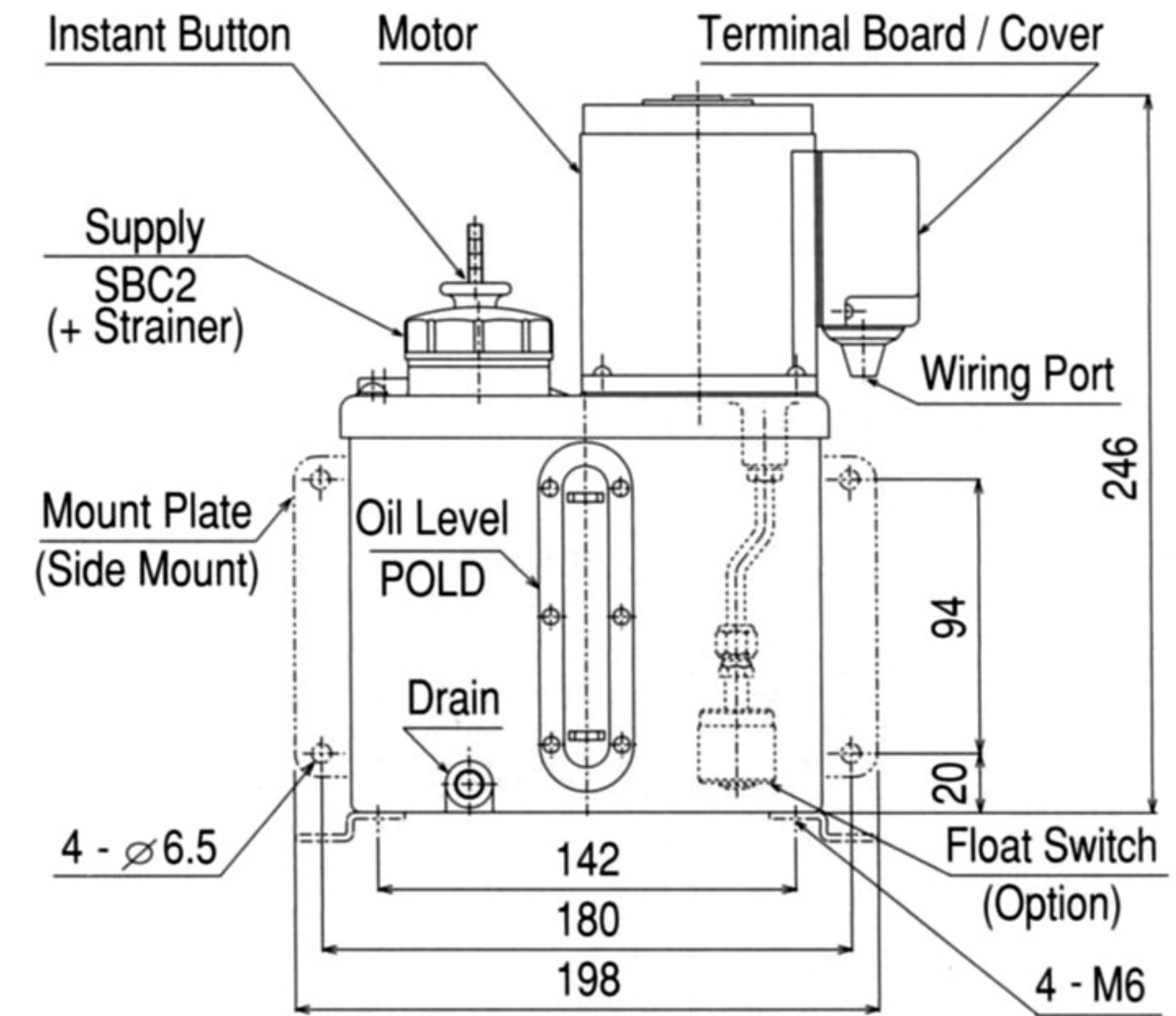
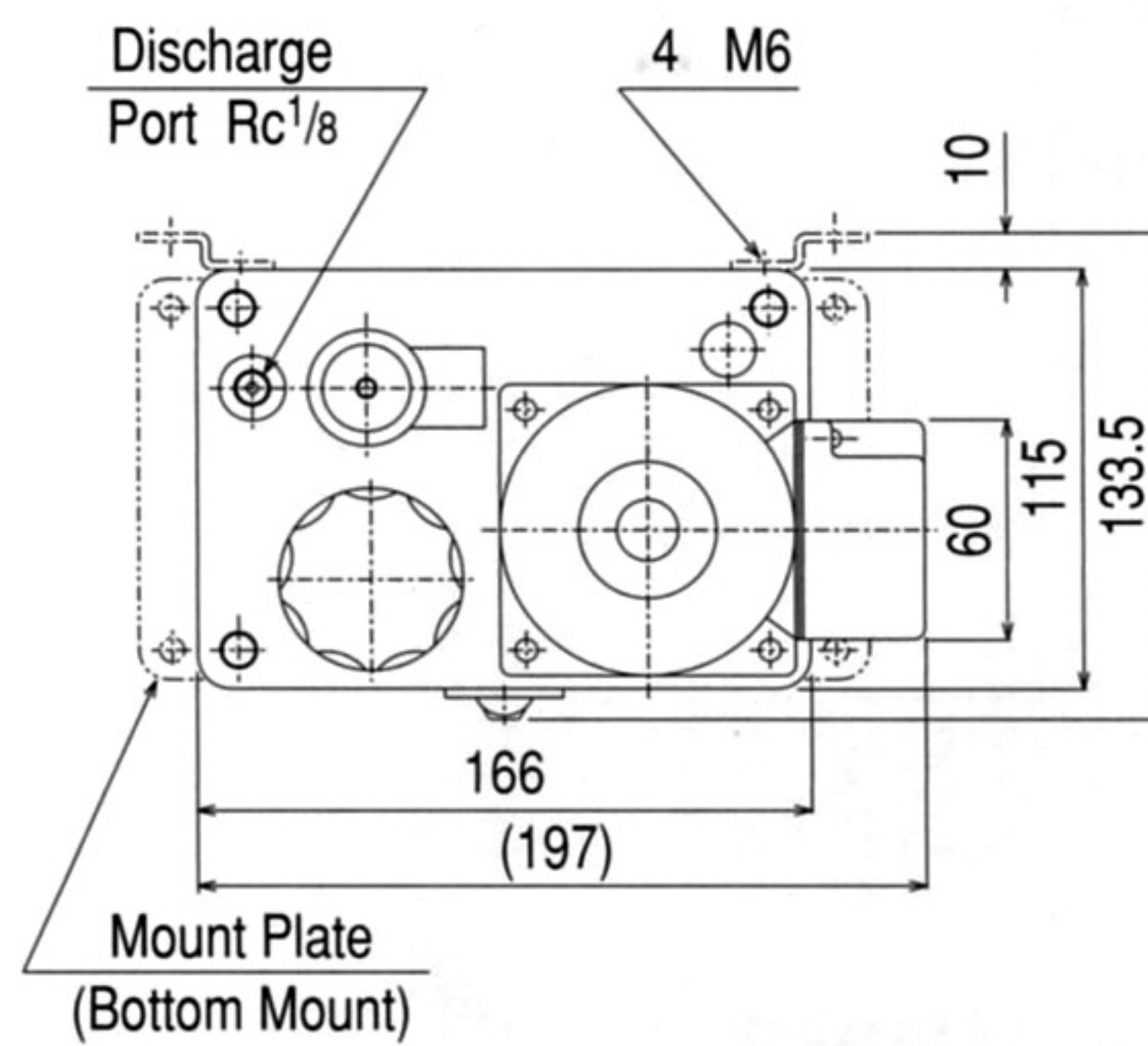
MODEL CODE YMAS 6 15 T

Tank Type	
-	2L Aluminum Tank
T	2L Plastic Tank
Cycle Time / Intermittence	
1	1min
30	30min
5	5min
60	60min
10	10min
120	120min
15	15min
Discharge Volume	
3	1cm ³ ~ 3cm ³ /cycle
6	3cm ³ ~ 6cm ³ /cycle
Base Code	

- An intermittent / cyclic pump unit for resistance type systems
- 2 discharge volume types available, dispensing 1 ~ 3cm³/cy or 3 ~ 6cm³/cy
- 7 cycle time types are available with cycle times of 1, 5, 10, 15, 30, 60 or 120 mins

Resistance type motorized pump unit, available in various cycle times with adjustable output volumes. 2 discharge volume types available, dispensing an adjustable discharge amount of either 1cm³ ~ 3cm³ or 3cm³ ~ 6cm³ of oil. The adjustable discharge volume further improves the pump's efficiency

YMAS360



MOTOR SPECIFICATION

Voltage (V)	200, 220, 230	200, 220, 230, 240
Frequency (Hz)	50	60
Current (A)	0.15	0.14
Rotation (rpm)	1400	1700
Output (W)	10	10

* YMAS units with different power specifications are available.

SPECIFICATIONS

MODEL CODE	Cycle Time (minutes)	Discharge Vol. (cm ³ /cycle)	Max. Discharge Pressure (MPa)	Tank Capacity (L)	Effective Tank Capacity (L)
YMAS3	1, 5, 10, 15,	1 ~ 3 (Adjustable)	0.5	2	1.5
YMAS6	30, 60 or 120	3 ~ 6 (Adjustable)	0.45	2	1.5

* Discharge volumes can be adjusted. Initial discharge volume settings are 2cm³ for YMAS3 & 5cm³ for YMAS6.

* Apart from standard 2L tanks, a 4L, 5L, 6L and a 12L tank can be fitted to the unit. A Float Switch can also be installed.

MY6

Accumulator Pump



MY6

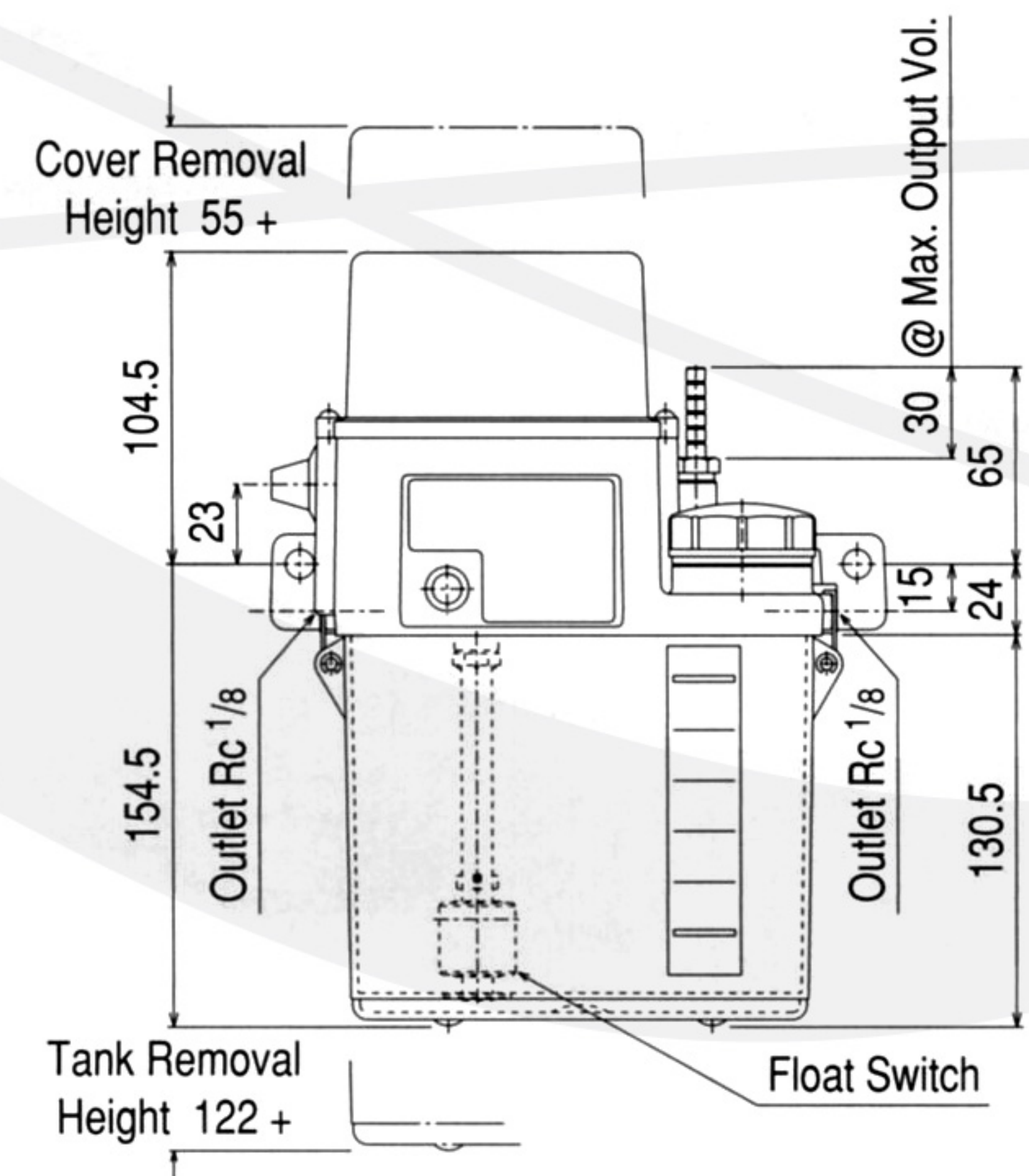
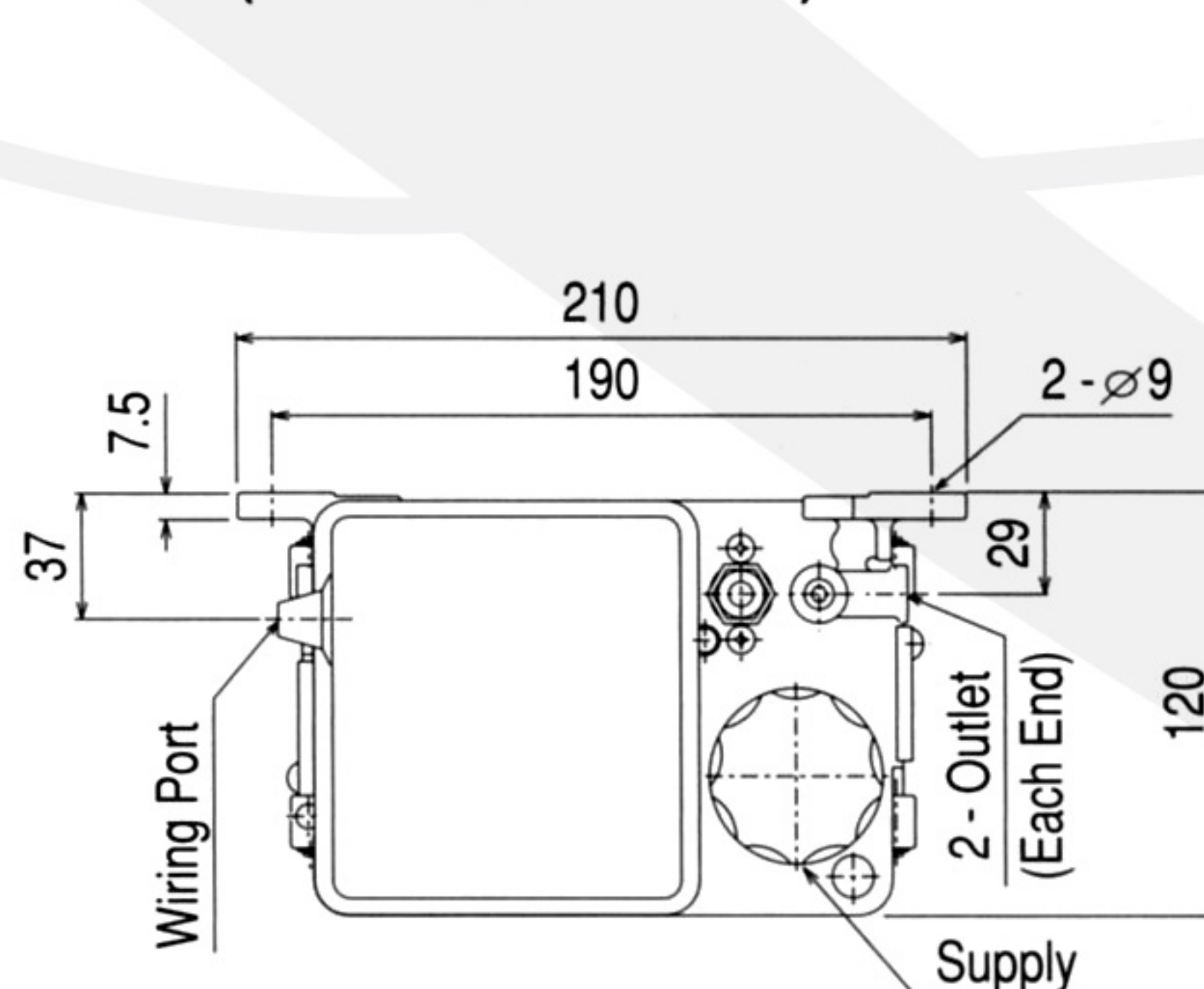
MODEL CODE MY 6 2 1 1 C

Power	
C	1Phase 100V 50 / 60Hz
B	1Phase 200V 50 / 60Hz
Float Switch Option	
0	None
1	Float Switch Installed
Control	
1	Y11 Timer Control
Tank Type	
0	2L Plastic Tank (TP2B2)
1	2L Aluminum Tank (TC2D1)
2	4L Plastic Tank (TP4B)
Discharge Volume	
6	1cm ³ ~ 6cm ³ /cycle
Base Code	

- Accumulator pump dispensing an adjustable volume of oil up to 6cm³ per cycle
- Possesses an IC timer (control board) for intermittent lubrication (adjustable)
- 3 types of tanks and the inclusion of a float switch is selectable

Utilizing an IC timer, the MY6 can be set to discharge oil from a range of selectable interval times. Possessing an "adjustment nut" the discharge volume per cycle can be set between 1 ~ 6cm³. The maximum discharge pressure for any discharge volume setting is 0.5MPa. The MY6 also possesses an "Instant Button", enabling immediate discharge of oil when required.

MY6012 (2L Plastic Tank Model)



POWER SPECIFICATION

Power Code	C		B	
Phase Motor	1		1	
Voltage (V)	100		200	
Frequency (Hz)	50	60	50	60
Consump. (A)	1.6	1.3	0.9	0.7
Output & Poles	17W x 2P			

SPECIFICATIONS

MODEL CODE	Discharge Pressure (MPa)	Discharge Volume (cm ³ /cy)	Intermittence Times Selectable (mins)		Outlet Port Size	Tank Type & Capacity	Effective Tank Cap. (L)	Temp. Range (°C)	Viscosity Range (mm ² /s)
			x 1 Setting	x 10 Setting					
MY60	0.5 Max	1 ~ 6 Adjustable	2, 4, 6, 8,	20, 40, 60,	2 - Rc 1/8 (One on Each Side)	2L Plast.	1.3	-10 ~ +40	50 ~ 800
MY61			10, 12, 14,	80, 100, 120,		2L Alumi.			
MY62			16, 18	140, 160, 180		4L Plast.			